

VENUS

Thanks to its simple design and high-quality LED lighting, VENUS is a cost-effective alternative to create atmosphere and give your city a new identity. As an energy-efficient LED lighting fixture, Venus is designed for use in low-traffic areas and pedestrian areas.

It offers a cost-effective range of lighting solutions that help support a circular economy by reducing energy and maintenance costs while eliminating raw materials and waste.

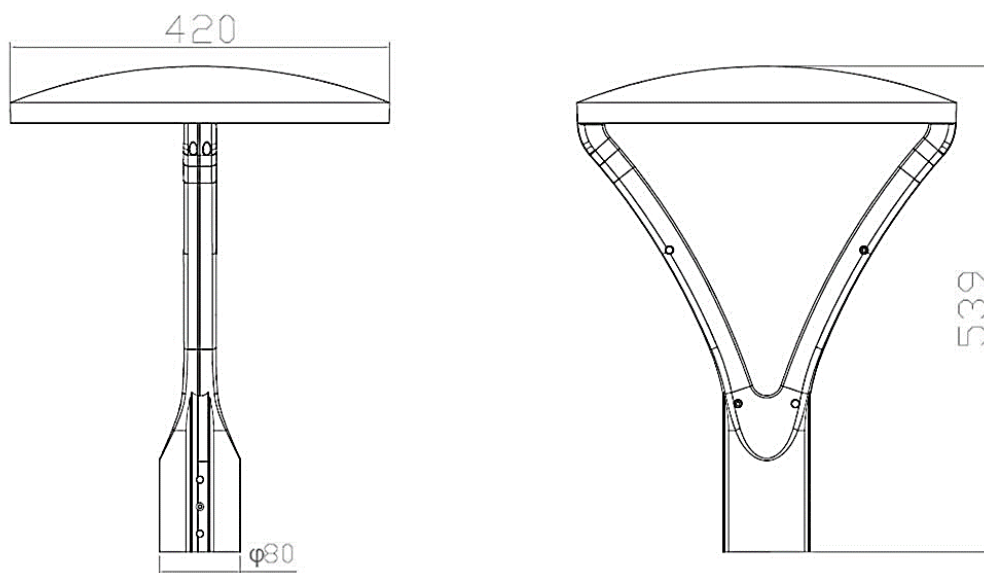


Product Data

General characteristics	
Correlated Color Temperature	3000 – 6500 K
Driver inclus	Yes
Type LED	SMD
IEC protection class	Safety class I / II (depending on choice)
Standards and recommendations	
Ingress code	IP66 [protected against the ingress of the dust, protection against water jets]
Mechanical Shock Protection Code	IK08
Luminous efficiency	≥ 140 Lm/W
Color rendering index	70
Electrical characteristics	
Input voltage	220 – 240 V
Input Frequency	50 / 60 Hz
Minimum power factor	0.9
Power Consumption	30 – 120 W
Surge protection	10 kV (optional)
Lifespan	
Lifespan	50,000 – 100,000 h
Terms of Use	
Operating Temperature	-40 to +60 °C
Logistics data	
Weight	6 kg

VENUS

Dimensions



Applications



Parking



Urban streets
and residential



Railway stations
and metro stations



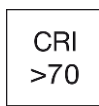
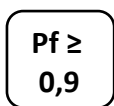
Cycle paths
and walking routes



Places
and pedestrian
areas



Id: 9105023295



LUMTEC®

LIGHT IS LED

www.lumtec.tn

Contact@lumtec.tn