

# TOKYO

TOKYO is a stylish addition to urban spaces, with a design influenced by traditional Japanese style. It offers cities the opportunity to preserve their heritage while providing a source of well-being and safety in public spaces. TOKYO is suitable for city centers, squares, parks, residential areas, urban roads, parking lots, pedestrian areas, and bicycle paths.

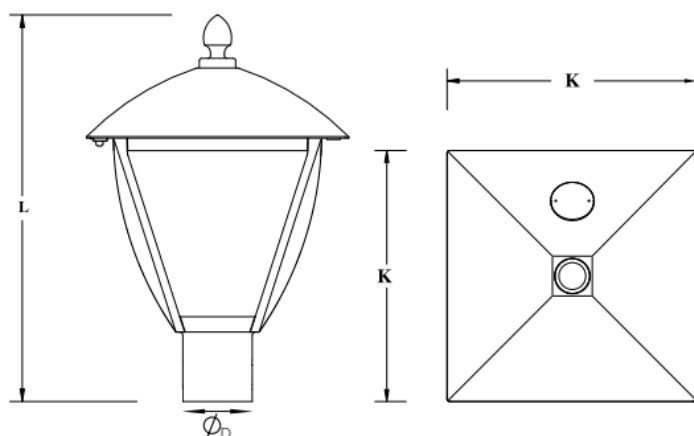


## Product Data

General characteristics	
Correlated Color Temperature	3000 – 6500 K
Driver inclus	Yes
Type LED	SMD
IEC protection class	Safety class I / II (depending on request)
Standards and recommendations	
Ingress code	IP66 [protected against the ingress of the dust, protection against water jets]
Mechanical Shock Protection Code	IK09
Luminous efficiency	≥ 140 Lm/W
Color rendering index	70
Electrical characteristics	
Input voltage	220 – 240 V
Input Frequency	50 / 60 Hz
Minimum power factor	0.9
Power Consumption	40 – 120 W
Surge protection	10 kV (optional)
Lifespan	
Lifespan	50,000 – 100,000 h
Terms of Use	
Operating Temperature	-40 to +60 °C
Logistics data	
Weight	7.2 kg

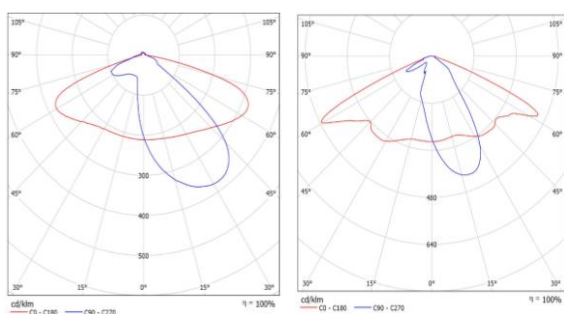
## TOKYO

### Dimensions



Dimensions (mm)	
L	557
K	378
D	60

### Photometric data



TP-II-S 157° X 77°

TP-II-M 147° X 72°

### Applications



Parking



Urban streets and residential



Railway stations and metro stations



Cycle paths and walking routes



Places and pedestrian areas



Id : 9105023295

