

# MOON II

MOON is indeed the first industrial reinforcement with the lowest overall cost. It outperforms all other high-rise LED fixtures thanks to the significant energy savings it generates and the long-term performance it offers.

MOON creates a pleasant working atmosphere with excellent visibility, allowing employees to perform their tasks more comfortably and safely, improving and increasing production.

With MOON, you can turn your lighting from a necessary expense to a strategic asset!



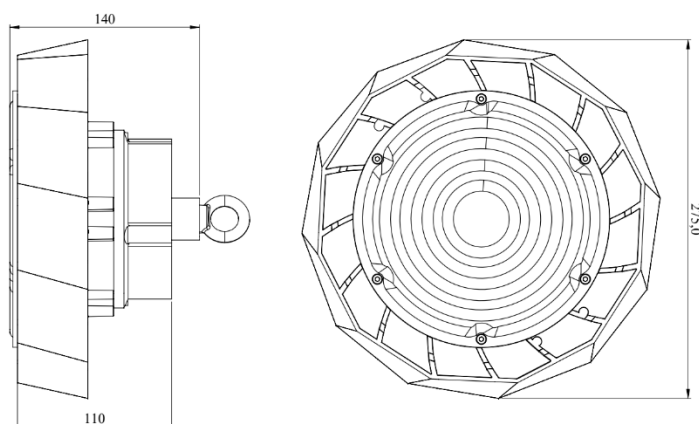
## Product Data

General characteristics	
Number of Switchgear Units	1 unit
Driver	Philips
Driver inclus	YES
Type LED	SMD
Standards and recommendations	
Ingress code	IP65
Mechanical Shock Protection Code	IK09
Performance (IEC compliant)	
Luminous flux	45,000 Lm
Luminous efficiency	180 Lm/W
Correlated Color Temperature	4000 – 6000 K
Color rendering index	70
Power Consumption	250 W
Electrical characteristics	
Input voltage	100 – 277 V
Input Frequency	50 / 60 Hz
Minimum power factor	0.9
Harmonic distortion rate	< 15%
Materials and finishes	
Radiator Materials	Aluminium
Lens Materials	PC 90°

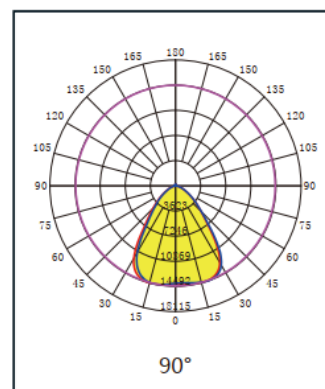
## Moon II

Lifespan	
Lifespan	100,000 h
Terms of Use	
Ambient temperature ranges	-30 to +50 °C
Room temperature	30 °C
Logistics data	
Packaging Unit	1
Pieces per carton	1
Carton Dimensions	310*310*175mm
Net Weight	2.2 kg
Gross Weight	2.7 kg

### Dimensions



### Photometric curves



### Applications



Parking

Large surfaces

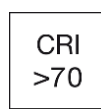
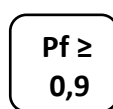
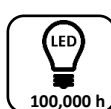
Store &

Sports lighting

Industrial corridor



Id : 9105023295



LUMTEC®

LIGHT IS LED

[www.lumtec.tn](http://www.lumtec.tn)

[Contact@lumtec.tn](mailto:Contact@lumtec.tn)