

MOON

MOON is indeed the first industrial reinforcement with the lowest overall cost. It outperforms all other high-rise LED fixtures thanks to the significant energy savings it generates and the long-term performance it offers.

MOON creates a pleasant working atmosphere with excellent visibility, allowing employees to perform their tasks more comfortably and safely, improving and increasing production.

With MOON, you can turn your lighting from a necessary expense to a strategic asset!



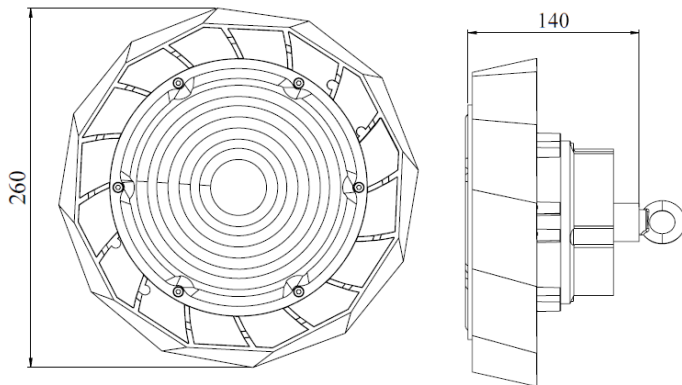
Product Data

General characteristics	
Number of Switchgear Units	1 unit
Driver	Philips
Driver inclus	Yes
Type LED	SMD
Standards and recommendations	
Ingress code	IP65
Mechanical Shock Protection Code	IK10
Performance (IEC compliant)	
Luminous flux	18,000 Lm – 36,000 Lm
Luminous efficiency	180 Lm/W
Correlated Color Temperature	4000 – 6000 K
Color rendering index	70
Power Consumption	100 W – 200 W
Electrical characteristics	
Input voltage	100 – 277 V
Input Frequency	50 / 60 Hz
Minimum power factor	0.9
Harmonic distortion rate	< 15%
Materials and finishes	
Radiator Materials	Aluminium
Lens Materials	PC 90°

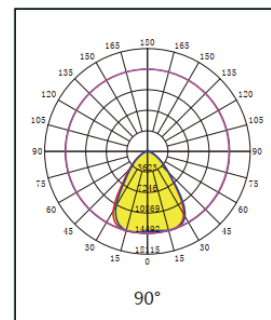
MOON

Lifespan	
Lifespan	100,000 h
Terms of Use	
Ambient temperature ranges	-30 to +50 °C
Room temperature	30 °C
Logistics data	
Packaging Unit	1
Pieces per carton	1
Carton Dimensions	310*310*175mm
Net Weight	2.2 kg
Gross Weight	2.7 kg

Dimensions



Photometric curves



Applications



Parking

Large surfaces

Store & Industrial corridor

Sports lighting



Id : 9105023295

