

Medina

MEDINA simply brings a touch of vintage style to cityscapes, with a design inspired by the very first gas lanterns. It gives cities the opportunity to preserve their heritage while providing a source of well-being and safety in public spaces. MEDINA can be used to illuminate city centers, squares, parks, residential areas, urban roads, parking lots, pedestrian areas, and cycle paths.

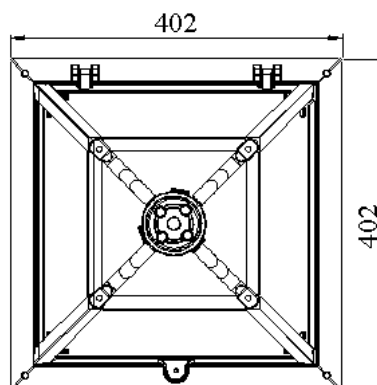
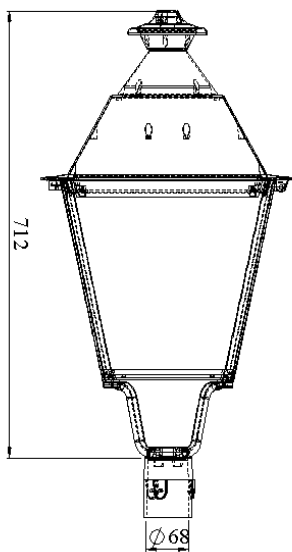


Product Data

General characteristics	
Correlated Color Temperature	3000 – 6500 K
Driver inclus	Yes
Type LED	SMD
IEC protection class	Safety class I / II (As requested)
Standards and recommendations	
Ingress code	IP66 [protected against the ingress of the dust, protection against water jets]
Mechanical Shock Protection Code	IK10
Luminous efficiency	≥ 140 Lm/W
Color rendering index	70
Electrical characteristics	
Input voltage	220 – 240 V
Input Frequency	50 / 60 Hz
Minimum power factor	0.9
Power Consumption	40 – 200 W
Surge protection	10 kV (optional)
Lifespan	
Lifespan	50,000 – 100,000 h
Terms of Use	
Operating Temperature	-30 to +80 °C
Logistics data	
Weight	8 kg

Medina

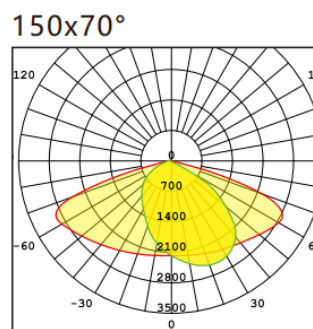
Dimensions



Pole and stock mounting



Photometric data



Applications



Parking



Urban streets
and residential



Railway stations
and metro stations



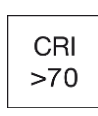
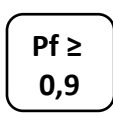
Cycle paths
and walking routes



Places
and pedestrian
areas



Id: 9105023295



LUMTEC®
LIGHT IS LED

www.lumtec.tn
Contact@lumtec.tn