

ANDALUS

ANDALUS is the right floor lamp for your city if you want it to be efficient, connected and stylish.

Indeed, this urban luminaire has a classic shape with a touch of recent style that is suitable for both historical and contemporary contexts.

Choose ANDALUS to create an attractive and pleasant atmosphere in the streets, parks and pedestrian areas of your city.

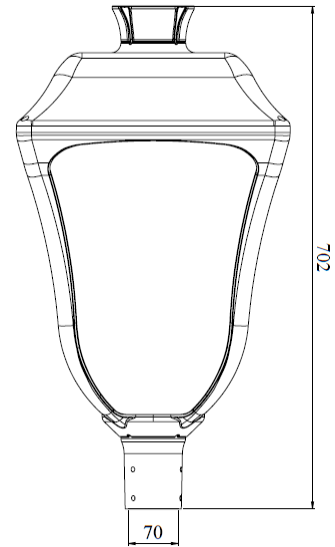
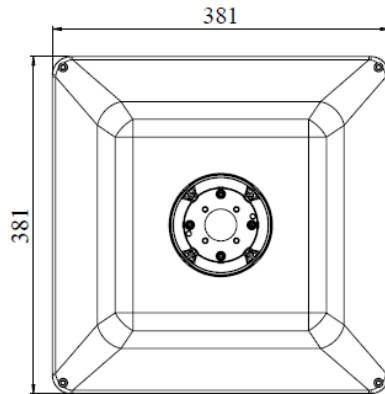


Product Data

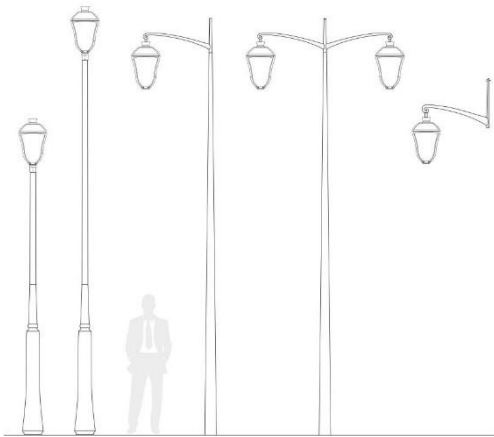
| General characteristics | |
|----------------------------------|--|
| Correlated Color Temperature | 3000 – 6500 K |
| Driver inclus | Yes |
| Type LED | SMD |
| IEC protection class | Safety class I / II (as requested) |
| Standards and recommendations | |
| Ingress code | IP66 [protected against dust ingress, protection against water jets] |
| Mechanical Shock Protection Code | IK08 |
| Luminous efficiency | ≥ 140 Lm/W |
| Color rendering index | 70 |
| Electrical characteristics | |
| Input voltage | 220 – 240 V |
| Input Frequency | 50 / 60 Hz |
| Minimum power factor | 0.9 |
| Power Consumption | 30 – 150 W |
| Surge protection | 10 kV (optional) |
| Lifespan | |
| Lifespan | 50,000 – 100,000 h |
| Logistics data | |
| Weight | 8 kg |

Andalus

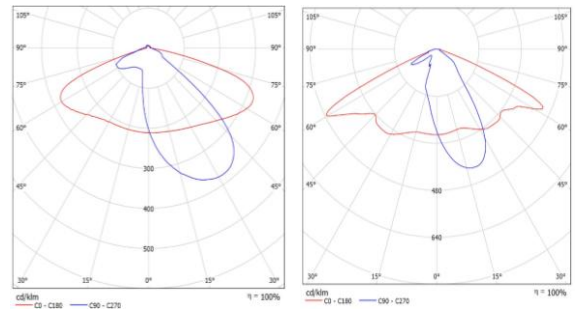
Dimensions



Pole and stock mounting



Photometric data



TP-II-S 157° X 77°

TP-II-M 147° X 72°

Applications



Parking



Urban streets and residential



Railway stations and metro stations



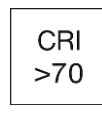
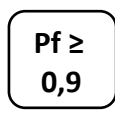
Cycle paths and walking routes



Places and pedestrian areas



Id: 9105023295



LUMTEC®

LIGHT IS LED

www.lumtec.tn



Contact@lumtec.tn