

Netlux 2.0

Description

Discover Netlux 2.0, a revolutionary innovation in outdoor lighting. Featuring an LED Driver cleverly positioned on the back of the luminaire, this LED street luminaire offers unprecedented accessibility for easy maintenance, without the need for special tools. Its robust construction made of die-cast aluminium guarantees maximum durability, weatherproof and impact-resistant. Thanks to its state-of-the-art LED technology, the Netlux 2.0 offers clear, high-quality light, ensuring optimal visibility and substantial energy savings. Versatile and easy to install, this fixture is an ideal solution for a variety of urban and suburban applications. Netlux 2.0 redefines the standards of performance, durability and ease of use in outdoor lighting.



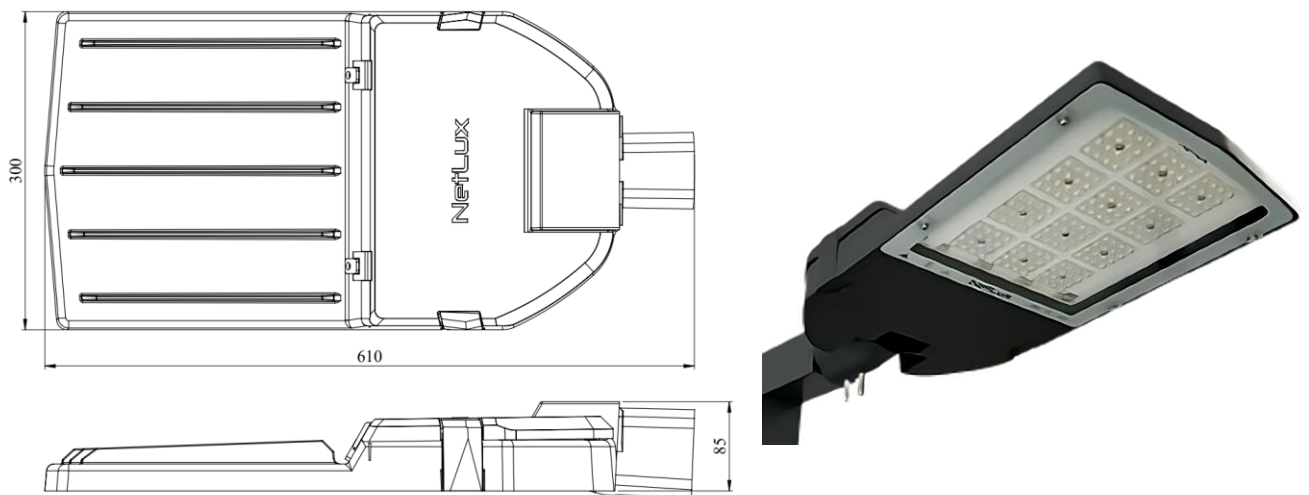
Product Data

| General characteristics | |
|----------------------------------|---|
| Replaceable light source | Yes |
| Number of Switchgear Units | 1 unit |
| Driver | Mean Well / Tridonic / Philips / Osram / Sosen / Lumes / Moso (depending on power) |
| Optical Unit | Separate |
| Opening | Hood (Tool-free) |
| Optical cover | Flat tempered glass |
| IEC protection class | Safety class I/II (As requested) |
| Type LED | SMD |
| Standard and Recommendations | |
| Ingress code | IP66 [Dust Ingress Protection, Water Jet Protection] |
| Mechanical Shock Protection Code | IK09 |
| Standards | EN62031, EN62262, EN60529, EN62471, EN62493, IEC/TR62778, EN61547, EN55015, EN55015+A1, EN55016-2-1, EN55032+AC, EN55016-2-3+A1+A2, EN61000-3-2, EN61000-3-3, EN61000-4-2, EN61000-4-3+A1, EN61000-4-4, EN61000-4-5, EN61000-4-6, EN61000-4-8+A1, EN61000-4-11, EN60598-1, EN60598-2-3, IES LM79, IES LM-80, EN 13032-1, EN 13032-2 |
| Surge protection | 10 kV (optional) |
| Performance (as per CEI) | |
| Luminous flux | 5800 – 50 100 Lm |
| Luminous Flux Tolerance | ± 7% |

Netlux 2.0

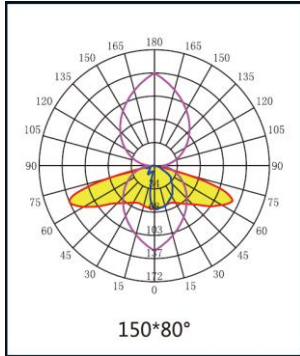
| | |
|-------------------------------------|--|
| Luminous efficiency | 145 -167 Lm/W (As per request) |
| Correlated Color Temperature | 2700 – 6500 K |
| Color rendering index | 80 |
| Power Consumption | 40 – 300 W |
| Electrical characteristics | |
| Input voltage | 220 – 240 V |
| Input Frequency | 50 / 60 Hz |
| Minimum power factor | 0.95 |
| Materials and finishes | |
| Housing Materials | Aluminium |
| Lens Materials | PC/PMMA |
| Mounting device | 48 / 60 A [universal mounting for Ø 48 / 60 mm adjustable] |
| Overall length | 610 mm |
| Overall width | 300 mm |
| Overall height | 85 mm |
| Lifespan (IEC compliant) | |
| LED source life | 100,000 h |
| Terms of Use | |
| Ambient temperature range | -10 to +50°C |
| Room temperature | 25°C |
| Logistics data | |
| Packaging Unit | 1 |
| Packaging by carton | 1 |
| Net Weight | 8.55 kg |

Dimensional Diagram

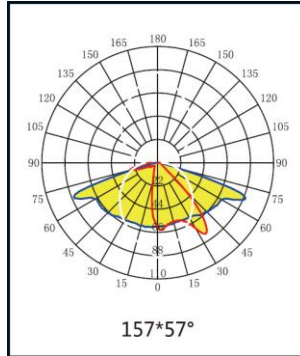


Netlux 2.0

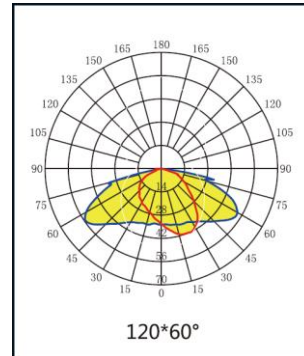
Photometric data



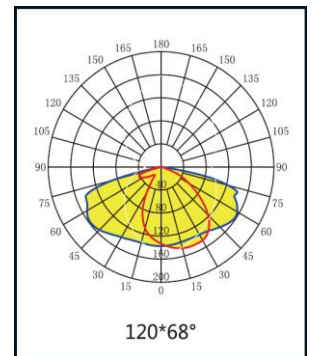
Type II-S



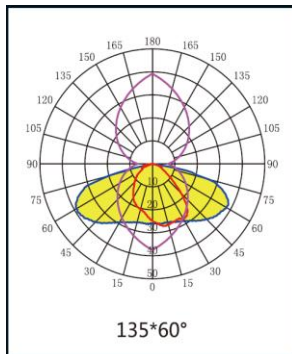
Type II-S



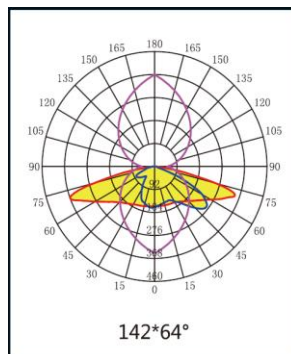
Type II-M



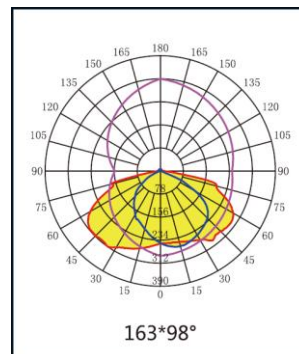
Type II-M



Type III-S



Type III-S



Type III-M



Parking



Railway stations
and metro stations



Urban streets
and residential



Cycle paths
and walking routes



Places
and pedestrian
areas



Roads and
highways

