

Venus

Thanks to its simple design and high-quality LED lighting, VENUS is a cost-effective alternative for generating atmosphere and giving your city a new identity. As an energy-efficient LED lighting luminaire, Venus is intended for use in low-traffic and pedestrian areas. It offers a cost-effective range of lighting solutions that help to support a circular economy by reducing energy and maintenance costs while also eliminating raw materials and waste.

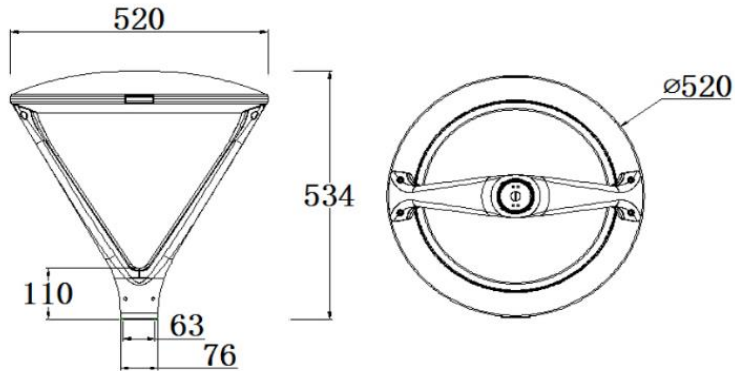


Product data

General characteristics	
Correlated color temperature	3000 – 6500 K
Driver included	Yes
LED type	SMD
IEC protection class	Safety class I / II (according to request)
Approval and application	
Ingress protection code	IP66 [Protection against dust penetration, protection against water jets]
Mechanical impact protection code	IK08
Initial Led luminaire luminous efficiency	> 120 lm/W
Color rendering index	80
Electrical characteristics	
Input voltage	220 – 240 V
Input frequency	50 / 60 Hz
Minimal power factor	0.9
Input power	30 – 100 W
Surge protection	10 kV (optional)
Over time performance (IEC compliant)	
Lifetime of Led source	50 000 – 100 000 h
Application conditions	
Ambient temperature range	-40 to +60 °C
logistics data	
Net weight	11.3 kg

Venus

Drawing



Applications



Parkings



Urban & residential streets



Railway stations & metros



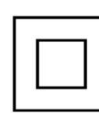
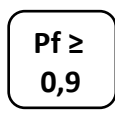
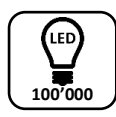
Bike & pedestrian paths



Squares & pedestrian areas



Id : 9105023295



LIGHT IS LED

www.lumtec.tn

Contact@lumtec.tn

Contact@kacem-electronic.com