

## TOKYO

TOKYO is an elegant addition to urban spaces, with a design influenced by the traditional Japanese style. It provides cities with an opportunity to conserve their legacy while also providing a source of well-being and security in public spaces. TOKYO is appropriate for city centers, squares, parks, residential areas, urban roadways, parking lots, pedestrian spaces, and bike paths.

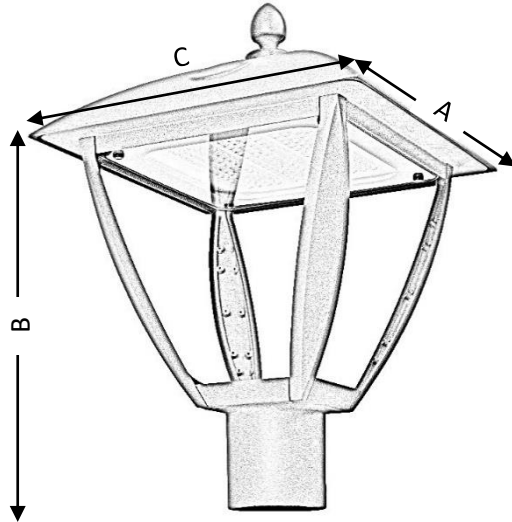


### Product data

General characteristics	
Correlated color temperature	3000 – 6500 K
Driver included	Yes
LED type	SMD
IEC protection class	Safety class I / II (according to request)
Approval and application	
Ingress protection code	IP66 [Protection against dust penetration, protection against water jets]
Mechanical impact protection code	IK09
Initial Led luminaire luminous efficiency	130 – 140 lm/W
Color rendering index	80
Electrical characteristics	
Input voltage	220 – 240 V
Input frequency	50 / 60 Hz
Minimal power factor	0.9
Input power	30 – 120 W
Surge protection	10 kV (optional)
Over time performance (IEC compliant)	
Lifetime of Led source	50 000 – 100 000 h
Application conditions	
Ambient temperature range	-40 to +60 °C
logistics data	
Net weight	7.2 kg

## Tokyo

### Drawing



Dimensions	
<b>A</b>	378 mm
<b>C</b>	378 mm
<b>B</b>	557 mm

### Applications



Parkings



Urban & residential streets



Railway stations & metros



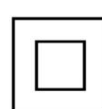
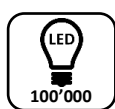
Bike & pedestrian paths



Squares & pedestrian areas



Id : 9105023295



## LUMTEC®

LIGHT IS LED

[www.lumtec.tn](http://www.lumtec.tn)

Contact@lumtec.tn

Contact@kacem-electronic.com