

Teleza Square

Born and designed to replace globe bulb lights, TELEZA improves the efficiency and performance of lights, reducing maintenance costs. TELEZA may be incorporated harmoniously into any city infrastructure with a contemporary design and historic areas.



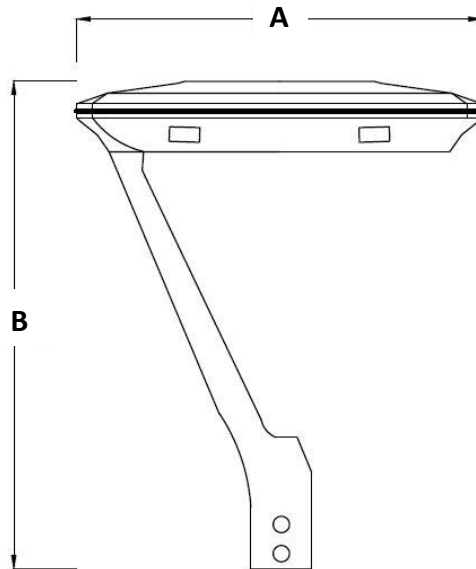
Product data

General characteristics	
Correlated color temperature	3000 – 6500 K
Driver included	Yes
LED type	SMD
IEC protection class	Safety class I / II (according to request)
Approval and application	
Ingress protection code	IP66 [Protection against dust penetration, protection against water jets]
Mechanical impact protection code	IK09
Initial Led luminaire luminous efficiency	> 140 lm/W
Color rendering index	80
Electrical characteristics	
Input voltage	220 – 240 V
Input frequency	50 / 60 Hz
Minimal power factor	0.9
Input power	30 – 100 W
Surge protection	10 kV (optional)
Over time performance (IEC compliant)	
Lifetime of Led source	50 000 – 100 000 h
logistics data	
Net weight	13 kg

Teleza Square

Drawing

Dimensions	
A	480 mm
B	538 mm



Applications



Parkings



Urban & residential streets



Railway stations & metros



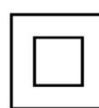
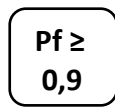
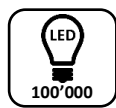
Bike & pedestrian paths



Squares & pedestrian areas



Id : 9105023295



LUMTEC®

LIGHT IS LED

www.lumtec.tn

Contact@lumtec.tn

Contact@kacem-electronic.com