

NetLux

Description

You can enjoy the many benefits of LED technology available in NetLux.

When compared to traditional lighting, NetLux significantly improves the most crucial features of the street lighting experience.

It is distinguished by its die-cast aluminum body, which is developed with a thermal management system to maximize heat transfer.

Furthermore, it is well-suited to modern streets and the renovation of existing structures.

Bright light and great quality are included in this economical lighting option, as well as the opportunity to save energy and money on maintenance.

In summary, NetLux encompasses not only outstanding quality but also all of the benefits of LED technology, including energy savings and a long lifespan. more integrated benefits into a slimmer and lighter design, making installation even easier



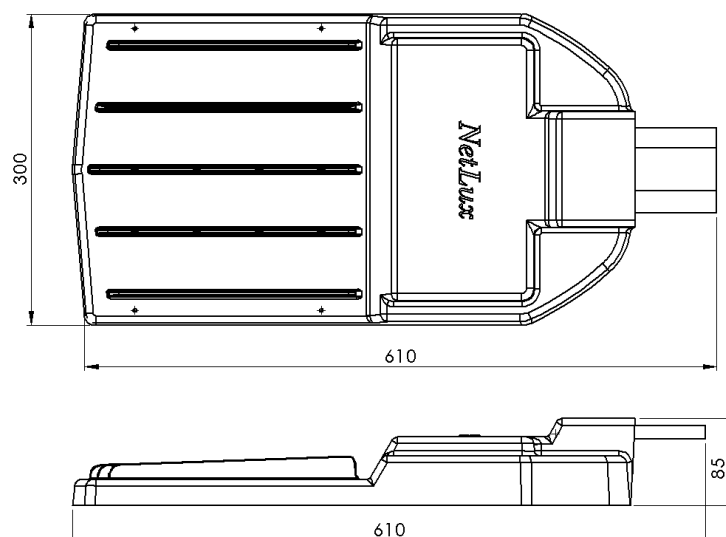
Product details

General characteristics	
Light source replaceable	Yes
Number of gear units	1 unit
Driver	Mean Well / Tridonic / Philips / Osram / Sosen / Lumes (according to power)
Driver included	Yes
Optical cover	Tempered flat glass
IEC protection class	Safety class I / II (according to the request)
LED type	SMD
Approval and application	
Ingress protection code	IP66 [Protection against dust penetration, protection against water jets]
Mechanical impact protection code	IK09
Standards	EN62031, EN62262, EN60529, EN62471, EN62493, IEC/TR62778, EN61547, EN55015, EN55015+A1, EN55016-2-1, EN55032+AC, EN55016-2-3+A1+A2, EN61000-3-2, EN61000-3-3, EN61000-4-2, EN61000-4-3+A1, EN61000-4-4, EN61000-4-5, EN61000-4-6, EN61000-4-8+A1, EN61000-4-11, EN60598-1, EN60598-2-3, IES LM79, IES LM-80, EN 13032-1, EN 13032-2
Surge protection	10 kV (optional)
Performance (IEC compliant)	
Luminous flux	4800-36000 lm
Luminous flux tolerance	± 7 %
Initial Led luminaire luminous efficiency	120 – 150 lm/W (according to the request)

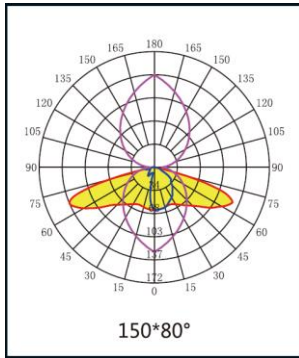
NetLux

Correlated color temperature	3000 – 6500 K
Color rendering index	≥ 80
Input power	40-240 W
Electrical characteristics	
Input voltage	100 – 305 V
Input frequency	50 / 60 Hz
Minimal power factor	0.95
Mechanical and housing	
Housing material	Aluminum
Lens material	PC / PMMA
Mounting device	48 / 60 A [universal fixing for adjustable Ø 48 / 60 mm]
Overall length	610 mm
Overall width	300 mm
Overall height	85 mm
Over time performance (IEC compliant)	
Lifetime of Led source	100 000 h
Application conditions	
Ambient temperature range	-10 to +50°C
Ambient temperature	25°C
Product data	
Quantity per pack	1
Pieces per box	1
Net weight	6.2 Kg

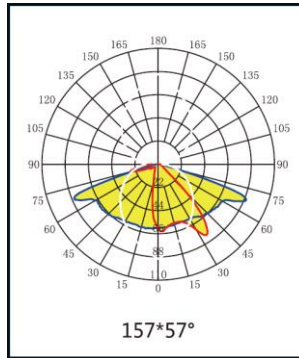
Dimensional drawing



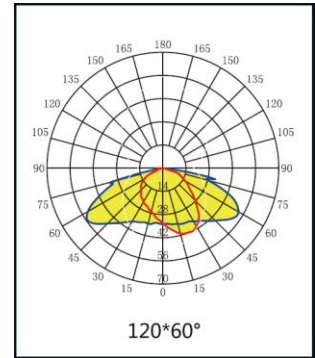
Photometric curves



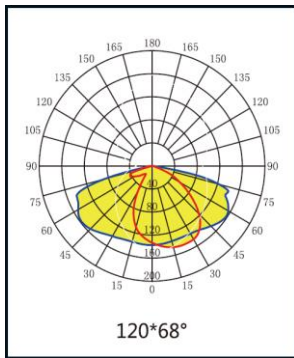
Type II-S



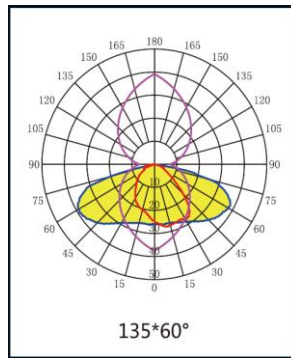
Type II-S



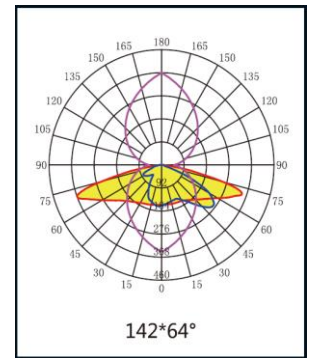
Type II-M



Type II-M



Type III-S



Type III-S

Applications



Parkings



Urban & residential streets



Railway stations & metros



Bike & pedestrian paths



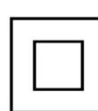
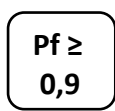
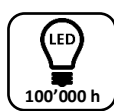
Squares & pedestrian areas



Roads & motorways



Id : 9105023295



LIGHT IS LED

www.lumtec.tn

Contact@lumtec.tn

Contact@kacem-electronic.com