

High Bay

Led Moon 250 w

MOON is indeed the leading industrial High Bay with the lowest overall cost. It exceeds all other LED high-bay fixtures due to the significant energy savings it generates and the long-term performance it provides.

MOON produces a pleasant working atmosphere with excellent visibility, allowing employees to complete their tasks more comfortably and safely, enhancing and increasing production.

You can turn your lighting from a required expense to a strategic asset with MOON!



Product data

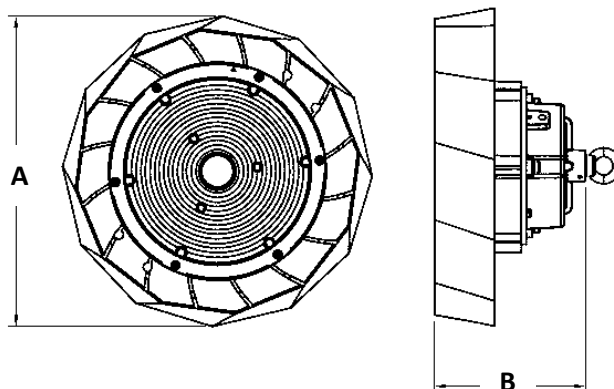
General characteristics	
Number of gear units	1 unit
Driver	Sosen / Lifud
Driver included	Yes
Led type	SMD
Approval and application	
Ingress protection code	IP66 [Protection against dust penetration, protection against water jets]
Mechanical impact protection code	IK08
Certificates	CE , RoHS , CB
Performance (IEC Compliant)	
Luminous flux	32 500 lm
Luminaire efficacy at 0h	130 lm/w
Correlated colour temperature	3000 – 6500 K
Color rendering index	≥ 80
Input power	250 w
Electrical features	
Input voltage	100 – 277 V
Input frequency	50 / 60 Hz
Power factor (min)	0.85
Harmonic distortion rate	< 15%
Materials and housing	
Radiator's material	Aluminium

High Bay Led Moon 250 w

Lens material	PC (60° / 90° / 110°)
Lifetime	
Lifetime	50 000 h – 100 000 h
Application conditions	
Ambient temperature range	-30 to +50 °C
Ambient temperature	30 °C
Product data	
Quantity per pack	1
Pieces per box	1
Packaging dimension	310 * 310 * 175 mm
Net weight	3.5 kg
Gross weight	4.5 kg

Drawing

Dimensions	
A	295 mm
B	140 mm



Applications



Parkings



Large areas



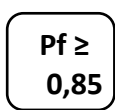
Industrial halls & warehouses



Sport facilities



Id : 9105023295



RoHS CE CB



LUMTEC®

LIGHT IS LED

www.lumtec.tn

Contact@lumtec.tn

Contact@kacem-electronic.com