

Andalus

ANDALUS is the suitable streetlight for your city if you want it to be efficient, connected, and stylish. Indeed, this urban luminaire has a classic form with a contemporary twist that fits well in both historical and contemporary contexts.

Choose ANDALUS to create an attractive and pleasant atmosphere in your city's streets, parks, and pedestrian spaces.

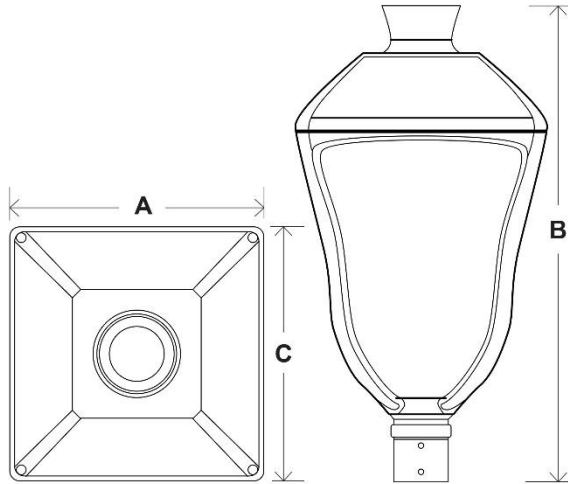


Product data

General characteristics	
Correlated color temperature	3000 – 6500 K
Driver included	Yes
LED type	SMD
IEC protection class	Safety class I / II (according to request)
Approval and application	
Ingress protection code	IP66 [Protection against dust penetration, protection against water jets]
Mechanical impact protection code	IK08
Initial Led luminaire luminous efficiency	≥ 140 lm/W
Color rendering index	80
Electrical characteristics	
Input voltage	220 – 240 V
Input frequency	50 / 60 Hz
Minimal power factor	0.9
Input power	30 – 120 W
Surge protection	10 kV (optional)
Over time performance (IEC compliant)	
Lifetime of Led source	50 000 – 100 000 h
logistics data	
Net weight	11 kg

Andalus

Drawing



Dimensions	
A	380 mm
C	380 mm
B	700 mm

Post top mounting pole

Suspended mounting



Applications



Parkings



Urban & residential streets



Railway stations & metros



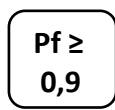
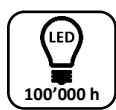
Bike & pedestrian paths



Squares & pedestrian areas



Id : 9105023295



LUMTEC®

LIGHT IS LED

www.lumtec.tn

Contact@lumtec.tn

Contact@kacem-electronic.com