

## Recessed square Led panel 20 W

The recessed square Led panel is formed with optical lenses on each Led ensuring a unified distribution of light. This type of panel is also easy to install, which is why it is found in various applications such as at a house, office, restaurant, hotel, supermarket, and so on.

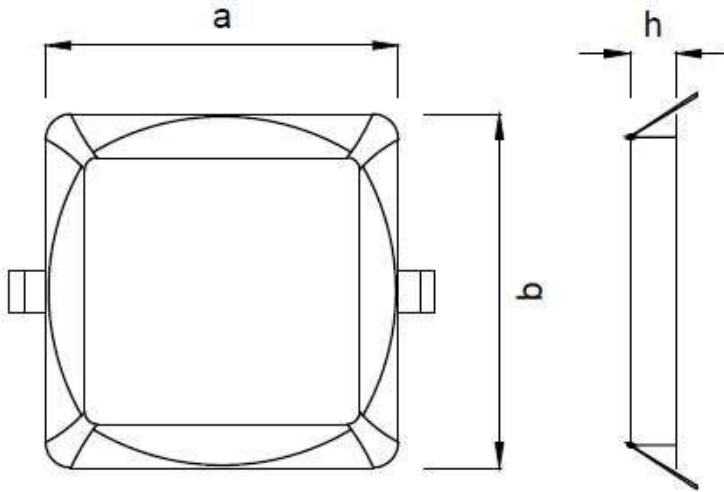


### Product data

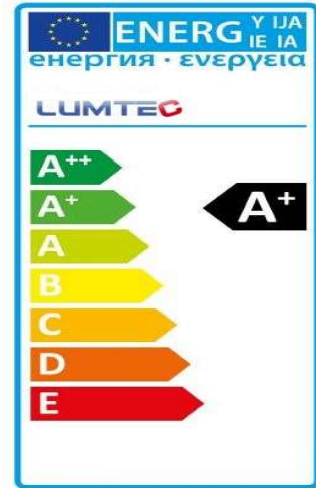
General information	
LED type	SMD
Nominal lifetime	25 000 h
Number of switch cycles	X 12500
Dimmable	No
Light characteristic	
Beam angle	120 °
Nominal luminous flux	≥ 1600 lm
Efficacy	80 lm/W
Temperature of correlated color	4000 – 8000 k (According to choice )
Color rendering index	80
Electrical features	
Input voltage	220 – 240 V
Input frequency	50 Hz
Absorbed power	20 W
Power factor	≥ 0.5
Temperature	
Operating temperature	-20 to +40 °C
Standards	
Energy Efficiency Class	A+
Package data	
Package dimensions	212 x 35 x 174 mm
Packaging by box	20

## Recessed square Led panel 20 W

### Dimensional drawing

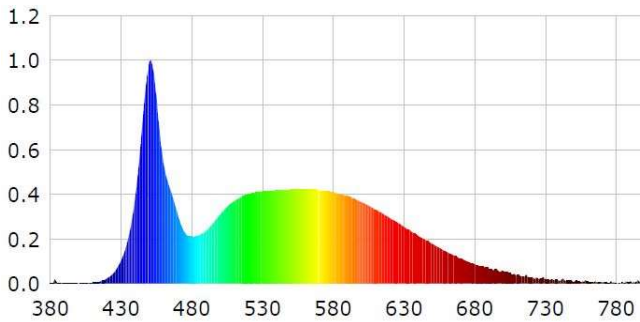


### Energy efficiency label

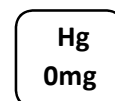
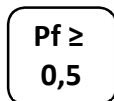
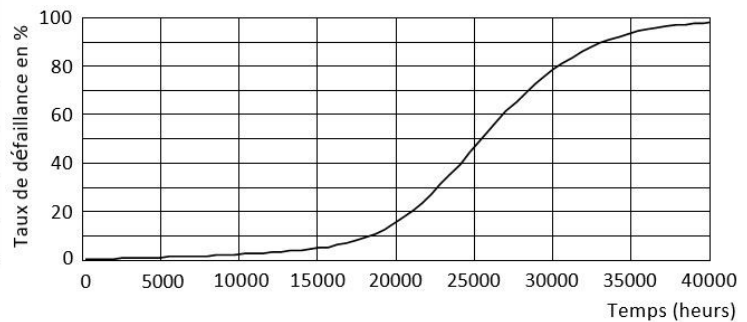


Product	a/b	h
Recessed square led panel 20 w	170 mm	24 mm

### Photometric



### Life time



Id : 9105023295



LIGHT IS LED



[www.lumtec.tn](http://www.lumtec.tn)



[Contact@lumtec.tn](mailto:Contact@lumtec.tn)

[Contact@kacem-electronic.com](mailto:Contact@kacem-electronic.com)