

High Bay

Led Moon 200 w

MOON is the leading luminaire for industrial lighting with a minimized total cost of ownership. Efficient, light, versatile and smart, it outperforms all other LED high-bay fixtures thanks to the substantial energy savings it generates and the performance it delivers over time.

MOON creates a comfortable working environment with perfect visibility to enable staff to do their work more easily and safely, which boosts morale and increases productivity. With MOON, you can transform your lighting from a necessary expense into a strategic asset!



Product data

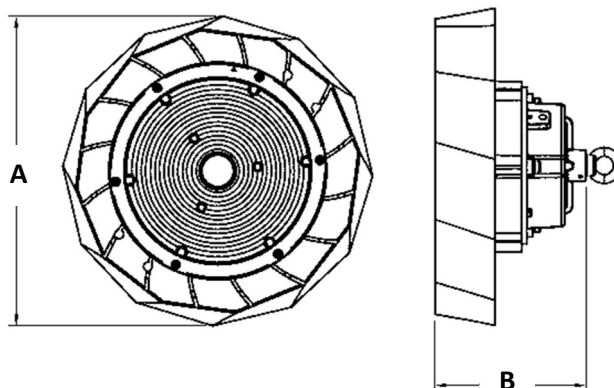
General characteristics	
Number of gear units	1 unit
Driver	Sosen
Driver included	Yes
Led type	SMD
Approval and application	
Ingress protection code	IP66 [Protection against dust penetration, protection against water jets]
Mechanical impact protection code	IK08
Certificates	CE , RoHS , CB , TUV
Performance (IEC Compliant)	
Luminous flux	26 000 lm
Luminaire efficacy at 0h	130 lm/w
Correlated colour temperature	3000 – 6500 K
Color rendering index	≥ 80
Absorbed power	200 w
Electrical features	
Input voltage	100 – 277 V
Input frequency	50 / 60 Hz
Power factor (min)	0.85
Harmonic distortion rate	< 15%
Materials and housing	
Radiator's material	Aluminium

High Bay Led Moon 200 w

Lens material	PC (60° / 90° / 110°)
Lifetime	
Lifetime	54000 h
Application conditions	
Ambient temperature range	-30 to +50 °C
Ambient temperature	30 °C
Product data	
Quantity per pack	1
Packs per outer box	1
Packaging dimension	310 * 310 * 175 mm
Net weight	2.2 kg
Gross weight	3.2 kg

Dimensions

Dimensions	
A	260 mm
B	140 mm



Applications



Parkings



Large areas



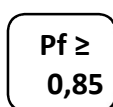
Industrial halls & warehouses



Sport facilities



Id : 9105023295



RoHS CE CB



LUMTEC®

LIGHT IS LED

www.lumtec.tn

Contact@lumtec.tn

Contact@kacem-electronic.com